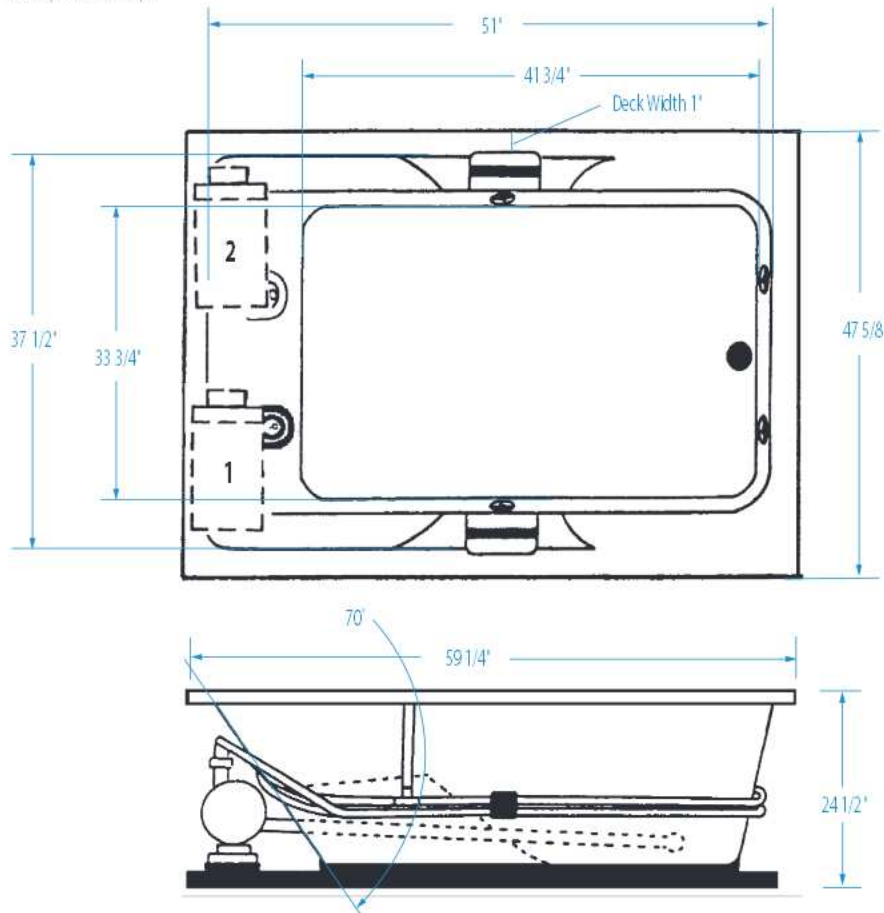


DEL RAY, JR.

59 1/4 x 47 5/8 x 24 1/2 (1505 x 1210 x 620)
inches (mm)



FEATURES lbs (kg) Dimensional Tolerance ± 3/8". Dimensions needed for site preparation should be measured from the unit. Aquatic assumes no responsibility for preparatory work.

Type and Model #	Material	Jets	Pump	Heater	Controls	Drain	Pkg. Wt.
Whirlpool #A16048R	Acrylic	8	1.75 HP	1.5 kw Inline (optional)	Electronic on/off	Universal	219 (99)

DIMENSIONS inches (mm)

Width Overall / Net	Depth Overall / Net	Height Overall / Net	Skirt Height
59 1/4 (1505)	47 5/8 (1210)	24 1/2 (620)	-

SUMP DATA inches (mm)

Capacity to Overflow gal (ltr)	Min. Operating Capacity gal (ltr)	WIDTH @ centerline		DEPTH @ centerline	
		Top	Bottom	Top	Bottom
92 (2335)	73 (276)	51 (1295)	41 3/4 (1060)	37 1/2 (952)	33 3/4 (857)

PLUMBING DIMENSIONS inches (mm)

A	B
1 3/4 (40)	8 7/8 (225)

ELECTRICAL DATA

Component	Specification	Requirement
Pump	1.75 HP; 12 AMP; 110 V	15 AMP; 110V, separate circuit; Class A GFCI
Optional Heater	1.5 kW; 12.5 AMP; 110 V	15 AMP; 110V, separate circuit; Class A GFCI

NOTES:

1) Where applicable, utilize cut-out templates packed with unit for deck cutouts.

2) 16 x 20 (405 x 510) minimum access required at pump/blower location(s).